

**Rain shower for surface-mounted ceiling installation with light 300 x 240 mm -  
Brushed Platinum**

IMO

28 042 980



Fits: IMO, LULU, MEM, CL.1, CYO

- rain shower 300 x 240mm
  - PURE RAIN, max. flow rate 6.8 l/min (at 3 bar)
  - PURIFY RAIN, max. flow rate 6 l/min (at 3 bar)
  - Distance to ceiling from bottom edge of shower 40 mm
  - with anti-scale system
  - central LED Spot 3000 K
  - Provided by customer: Light switch
  - Not suitable for use in a steam room.
- Three-way diverter trim is sold separately.**

**Pre-assembly kit for three-way diverter included includes light bulbs with a Class F energy efficiency**

Three-way diverter trim is sold separately.

Pre-assembly kit for three-way diverter included includes light bulbs with a Class F energy efficiency

|  |                                |                    |
|--|--------------------------------|--------------------|
|  | Brushed Platinum               | 28 042 980-06 0010 |
|  | Chrome                         | 28 042 980-00 0010 |
|  | Platinum                       | 28 042 980-08 0010 |
|  | Dark Chrome                    | 28 042 980-19 0010 |
|  | Brushed Light Gold             | 28 042 980-27 0010 |
|  | Brushed Durabronze (23kt Gold) | 28 042 980-28 0010 |
|  | Matte Black                    | 28 042 980-33 0010 |
|  | Brushed Champagne (22kt Gold)  | 28 042 980-46 0010 |
|  | Champagne (22kt Gold)          | 28 042 980-47 0010 |
|  | Brushed Chrome                 | 28 042 980-93 0010 |
|  | Brushed Dark Platinum          | 28 042 980-99 0010 |

**Required miscellaneous**



**Concealed ceiling installation box for surface-mounted ceiling installation with light -** 35 042 970-90 0010

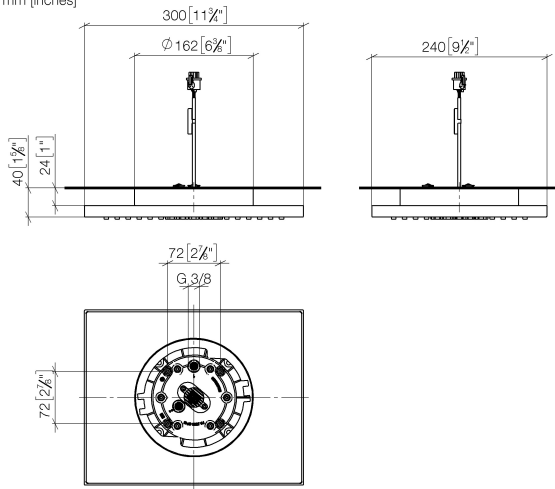
- max. recess depth 115 mm
- Provided by customer: Light switch
- min. recess depth 90 mm
- Pre-assembly kit for three-way diverter included



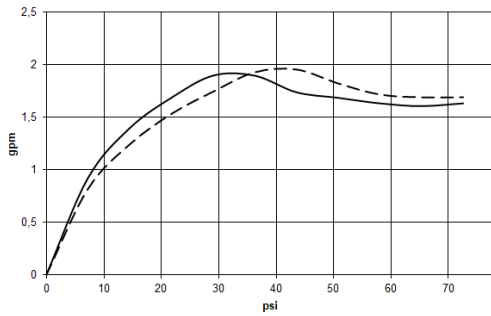
# Rain shower for surface-mounted ceiling installation with light 300 x 240 mm - Brushed Platinum

IMO

28 042 980  
mm [inches]



## Flow rate chart



## Codes & Standards

California Energy  
Commission  
(CEC)

Water Sense





Rain shower for surface-mounted ceiling installation with light 300 x 240 mm -  
Brushed Platinum

---

IMO

28 042 980

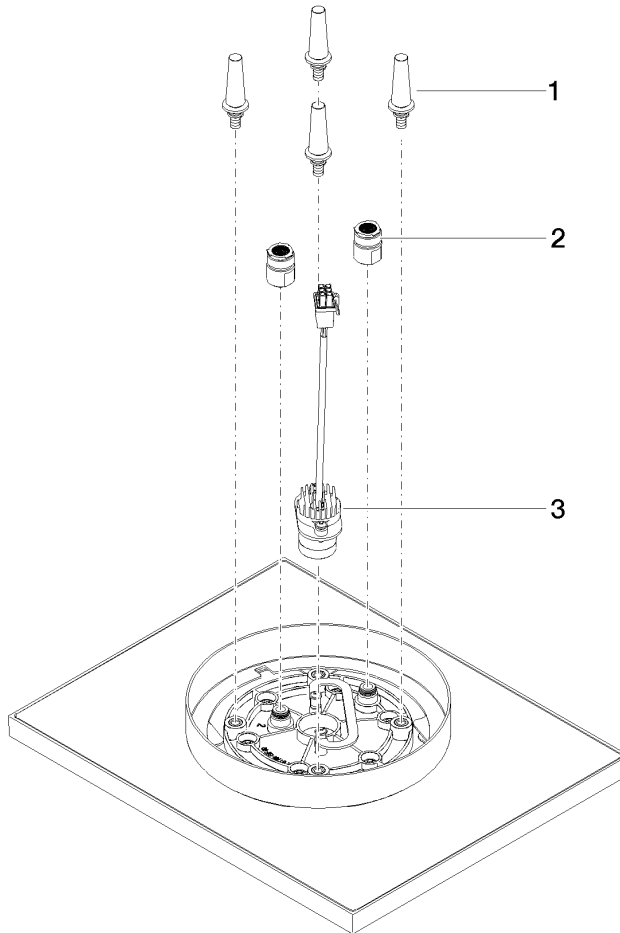
Certificates

---

IAPMO\_11777.

IAPMO\_4976 (7).

28 042 980



### Spare parts list

| No. | Item Number        | Name                   | Quantity used | Delivery time |
|-----|--------------------|------------------------|---------------|---------------|
| 1   | 90 17 20 263 00 90 | fixing set             | 1             | 2             |
| 2   | 90 24 03 309 02 90 | connection             | 2             | 2             |
| 3   | 90 10 01 225 00 90 | electronic accessories | 1             | 2             |